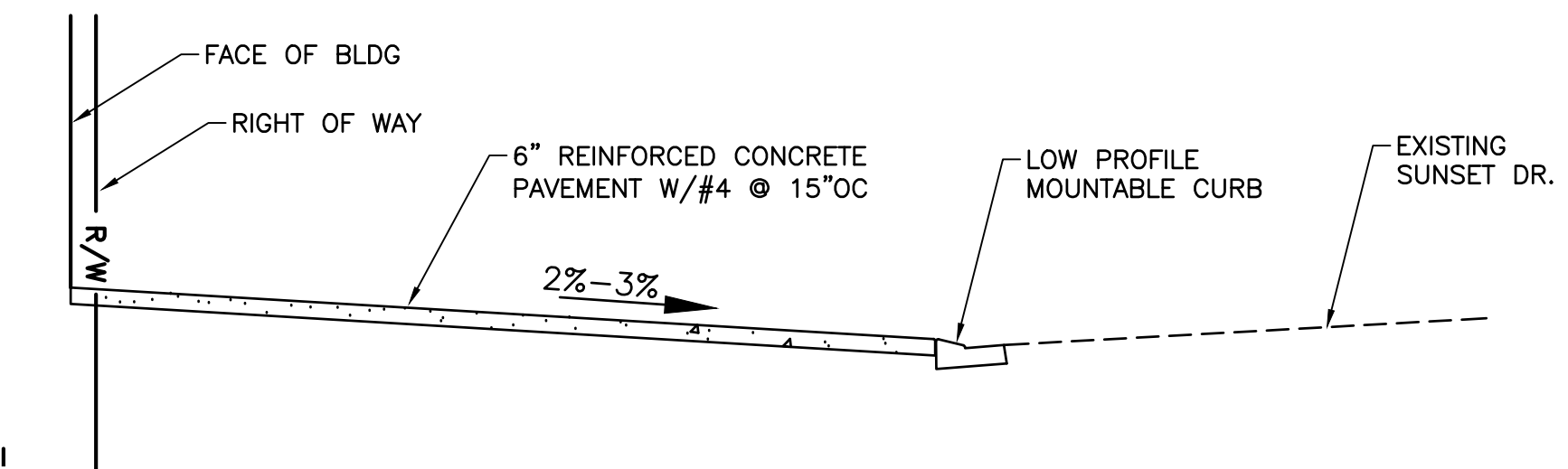


1 LOW PROFILE MOUNTABLE CURB
SCALE: N.T.S.



2 CONCRETE DRIVEWAY SECTION VIEW
SCALE: N.T.S.

KEYED NOTES

- SITE LAYOUT**
- SL1 6" REINFORCED CONCRETE PAVEMENT W/#4 BAR @ 15" OC
 - SL2 LOW PROFILE MOUNTABLE CURB PER OSD RD700
 - SL3 MATCH TO EXISTING
 - SL4 4" WHITE EDGE LINE TAPER 33:1
 - SL5 4" WHITE EDGE LINE
 - SL6 STREET TREES, TYP.